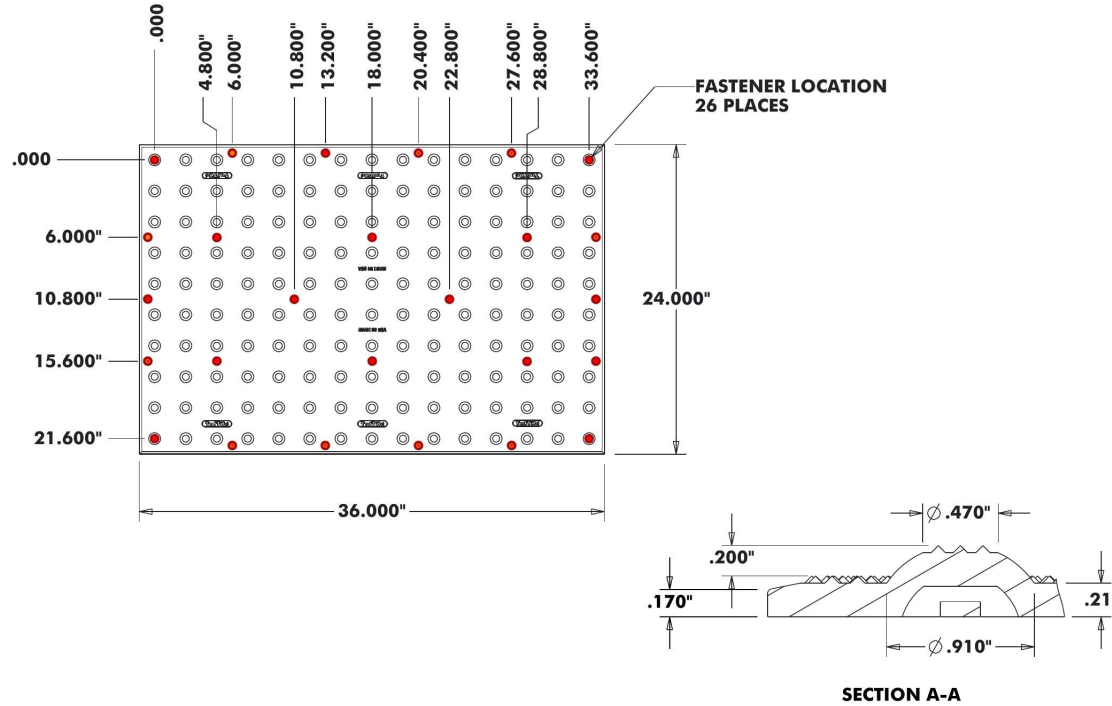


24" X 36" TILE (REPLACEABLE)

POLYMER DETECTABLE WARNING TILE

2.350 DOME SPACING

DRW NO	TT2436-XX-XXX	DRAWN	GM	DATE	6-11-21
TOLERANCE	+/- 0.050	SCALE		REV	DATE

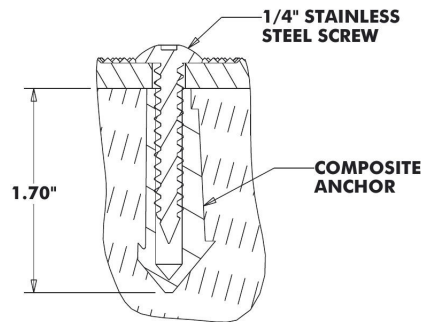
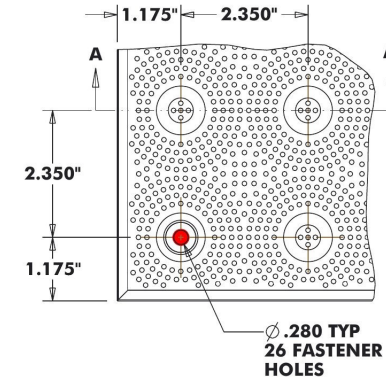


NOTES:

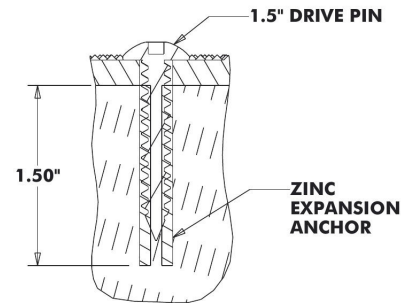
"XX" WS DESIGNATES WET SET

"XX" SA DESIGNATES SURFACE APPLIED

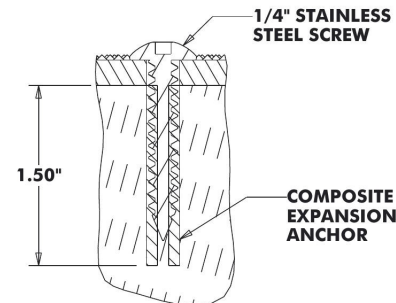
"XXX" DESIGNATES COLOR



**WET SET ANCHOR DETAIL
(FRESH CONCRETE)**



**EXPANSION ANCHOR DETAIL
(HARDENED CONCRETE)**



**EXPANSION ANCHOR DETAIL
(ASPHALT)**

