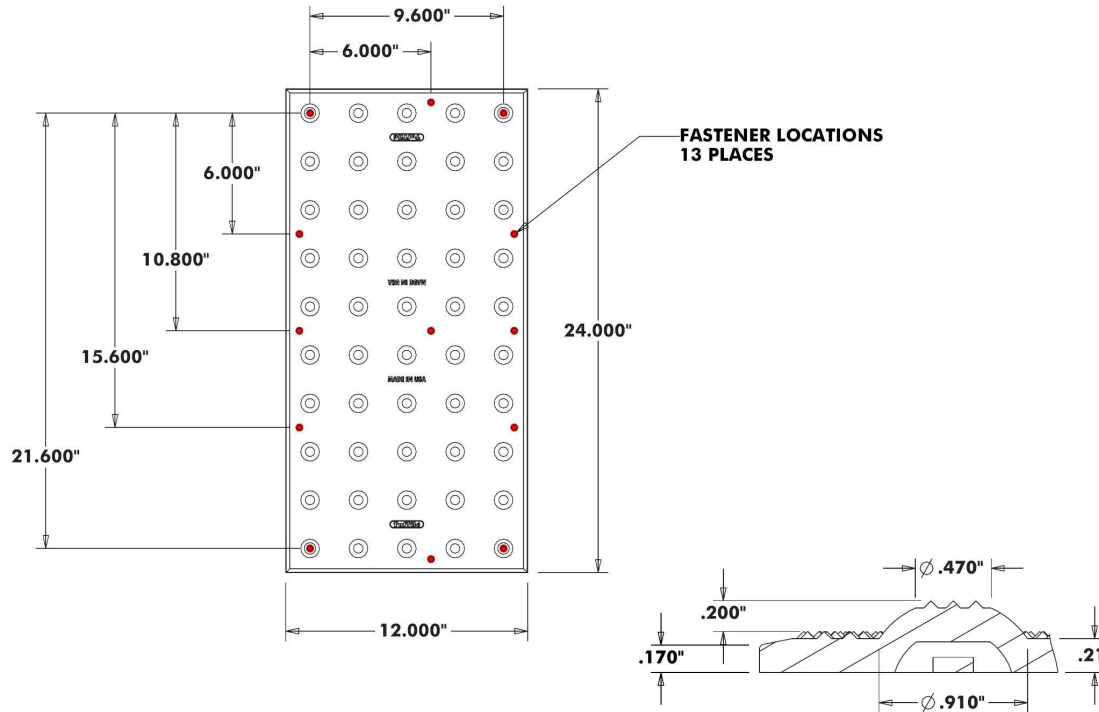


24" X 12" TILE (REPLACEABLE)

POLYMER DETECTABLE WARNING TILE

2.350 DOME SPACING



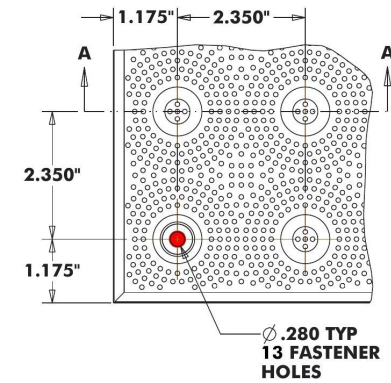
DRW NO	TT2412-XX-XXX	DRAWN	GM	DATE	6-11-21
TOLERANCE	+/- 0.050	SCALE		REV	DATE

NOTES:

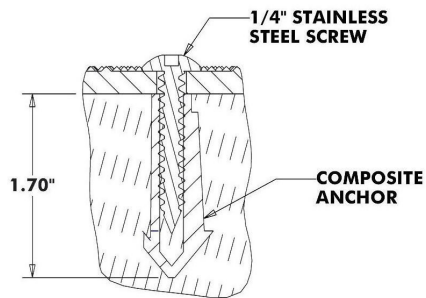
"XX" WS DESIGNATES WET SET

"XX" SA DESIGNATES SURFACE APPLIED

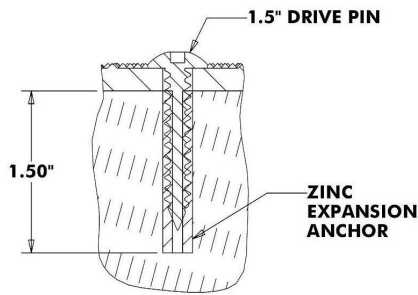
"XXX" DESIGNATES COLOR



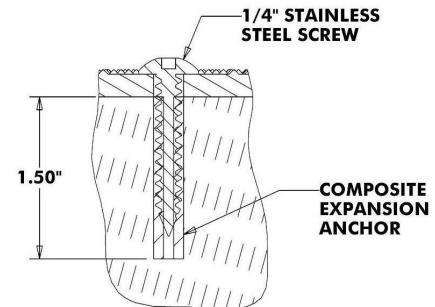
SECTION A-A



WET SET ANCHOR DETAIL (FRESH CONCRETE)



EXPANSION ANCHOR DETAIL (HARDENED CONCRETE)



EXPANSION ANCHOR DETAIL (ASPHALT)



TufTile.com

1-888-960-8897

905 Telser Road, Lake Zurich, IL 60047

©2021 TufTile, Inc. All Rights Reserved. V2.0