

25' WET SET

(REPLACEABLE)

CAST IRON DETECTABLE WARNING RADIUS—WEDGE TILE

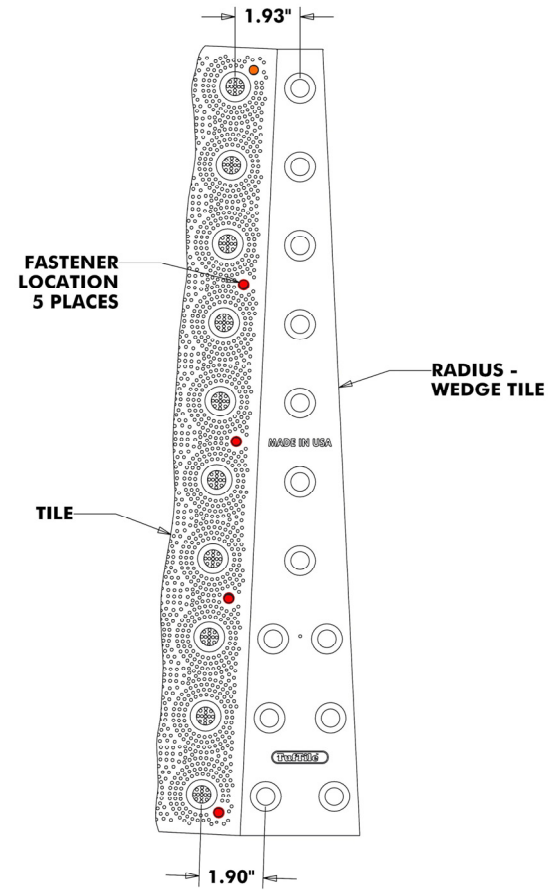
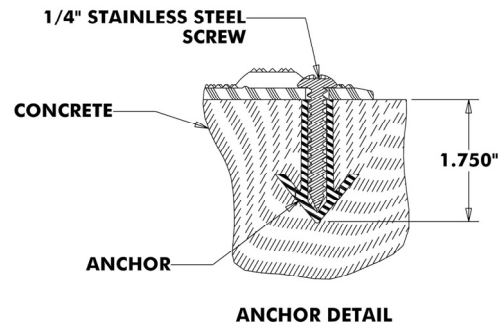
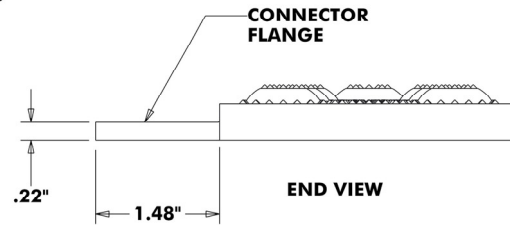
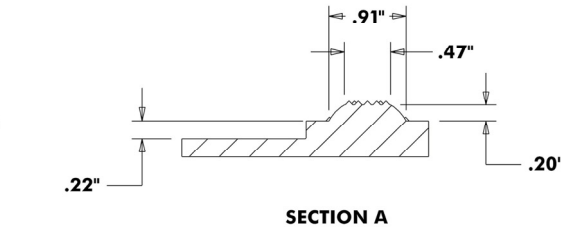
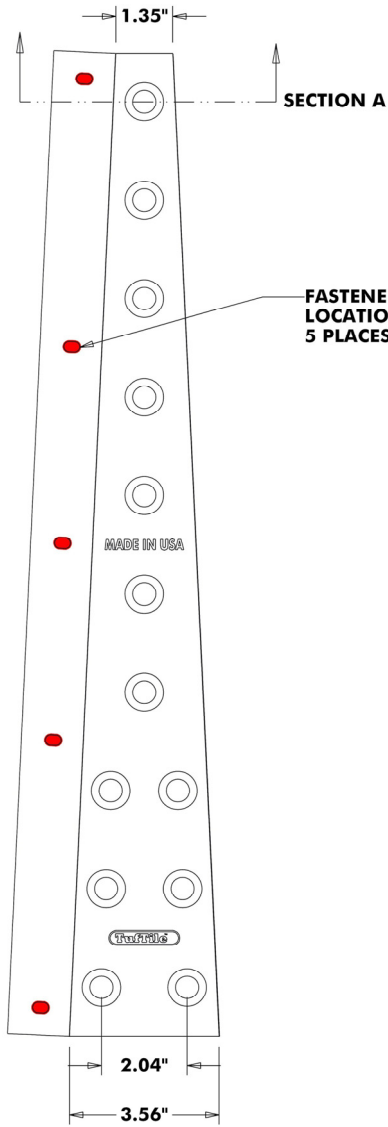
TEL 888-960-8897

FAX 847-550-8004

www.tuftile.com

NAME 25' CAST IRON WET-SET DETECTABLE WARNING RADIUS - WEDGE TILE		TufTile™ 905 Telser Rd Lake Zurich, IL 60047	
DRW NO TTCI25RW-WS-XXX	REVISED 08/10/19		
TOLERANCE +/- 0.050	SCALE	REV 1	DATE 11/07/14

NOTES: "XXX" DESIGNATES COLOR



RADIUS - WEDGE TILE

CONNECTED VIEW