

20' WET SET

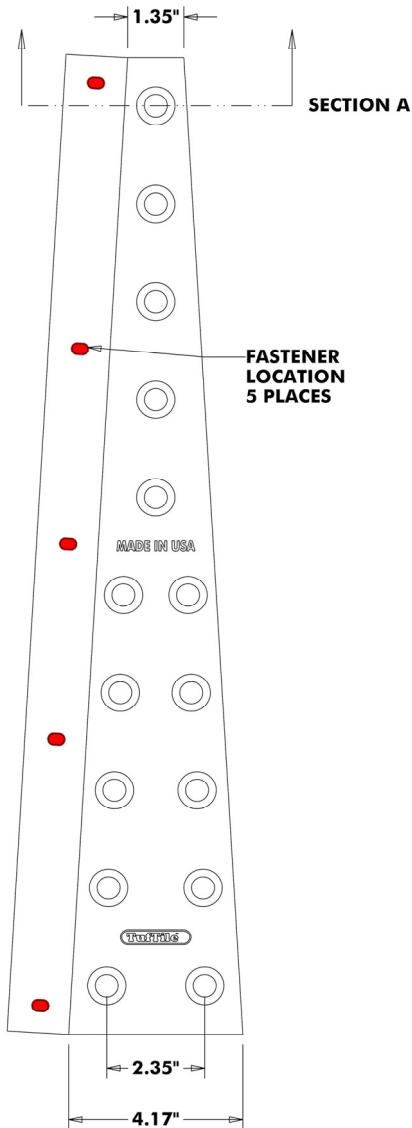
(REPLACEABLE)

CAST IRON DETECTABLE WARNING RADIUS—WEDGE TILE

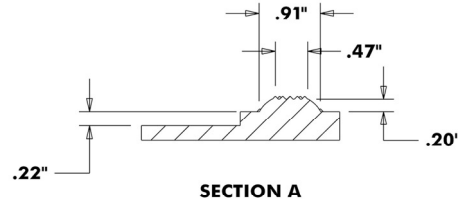
TEL 888-960-8897

FAX 847-550-8004

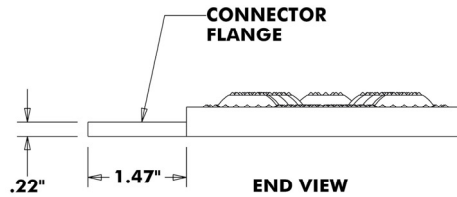
www.tufile.com



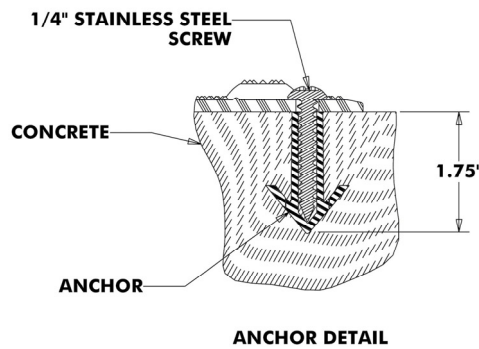
RADIUS - WEDGE TILE



SECTION A



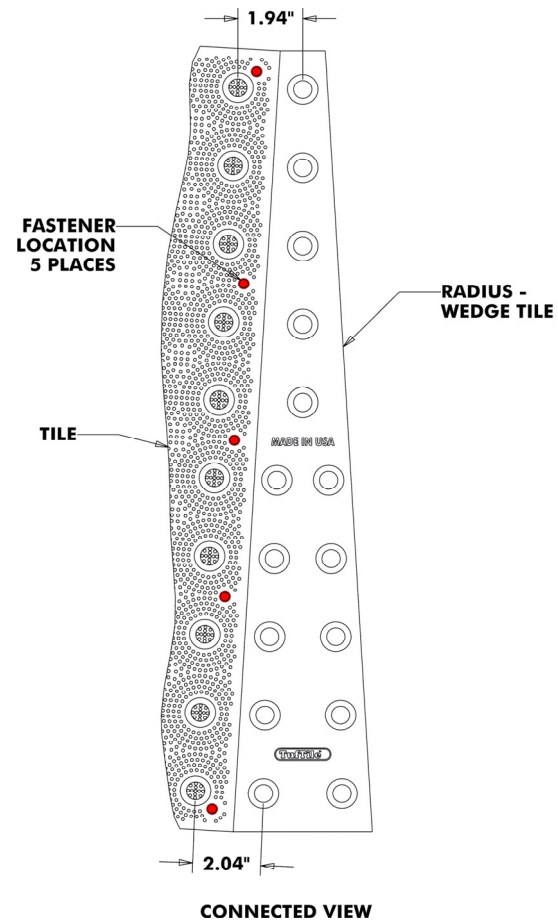
END VIEW



ANCHOR DETAIL

NAME 20' CAST IRON WET-SET DETECTABLE WARNING RADIUS - WEDGE TILE		TuFile™ 905 Telser Rd Lake Zurich, IL 60047	
DRW NO. TTCI20RW-WS-XXX	REVISED 08/10/19	REV 1	DATE 11/07/14
TOLERANCE +/- 0.050	SCALE		

NOTES: "XXX" DESIGNATES COLOR



CONNECTED VIEW